



## MARINE GENERATORS

# G-8M-3

Single-Phase

### General data

<b>Maximum power*</b>	8 kW (8 kVA)	<b>Voltage</b>	230 V
<b>Prime Power**</b>	7.3 kW	<b>Amperage</b>	34.9 A
<b>Frequency</b>	50 Hz	<b>Phases</b>	1

### Dimensions and weights

<b>Total length without canopy</b>	845 mm	<b>Total length with canopy</b>	-
<b>Total width without canopy</b>	482 mm	<b>Total width with canopy</b>	-
<b>Total height without canopy</b>	568 mm	<b>Total height with canopy</b>	-
<b>Dry weight without canopy</b>	165 Kg	<b>Dry weight with canopy</b>	-

### Engine

<b>Base engine manufacturer</b>	Mitsubishi	<b>Diameter</b>	76 mm (2.99 in)
<b>Model</b>	MINI-17 GENSET	<b>Stroke</b>	70 mm (2.76 in)
<b>Type</b>	Diesel, 4 stroke	<b>Compression ratio</b>	23:1
<b>Engine RPM</b>	3000	<b>Injection system</b>	Mechanical and indirect
<b>Number of cylinders</b>	2	<b>Intake system</b>	Naturally aspirated
<b>Total displacement</b>	635 cc	<b>SAE Flywheel housing</b>	SAE 5
<b>Oil</b>	SAE 15W40	<b>Coolant capacity</b>	2.7 L (0.71 gal)
<b>Oil capacity</b>	2.8 L (0.74 gal)	<b>Flywheel</b>	SAE 6 1/2
<b>Power</b>	10.1 kW (13.74 CV)	<b>Coolant flow rate</b>	28 l/min (7.4 gal/m)
<b>Salt water flow rate</b>	29 l/min (7.66 gal/m)	<b>Intake air flow rate</b>	0.83 m3/m
<b>Exhaust type</b>	Wet exhaust elbow	<b>V-Belt Protection</b>	Optional

Rating conditions according to ISO 3046 (100 kPa barometric pressure, 30 % relative humidity and 25 °C (77 ° F))

\* Maximum output power: maximum power supplied by the genset at full load

\*\* Prime Power: rated power according to ISO 3046 and ISO 8528-1. 10 % overload capacity one hour in twelve hours.

Fuel system details

1 kW □ 1,36 CV 1 kW □ 1,36 HP (metric) 1 kW □ 1,36 CH

45461 - 6/24

## Fuel system details

Consumption 25%	1.3 l/h (0.34 gal)	Fuel type	Diesel
Consumption 50%	1.9 l/h (0.5 gal)	Fuel standards	Fueloil diesel ASTM
Consumption 75%	2.6 l/h (0.69 gal)	Injection pump type	In line
Consumption 100%	3.4 l/h (0.9 gal)	Governor type	Mechanical

## Electrical system

Battery voltage	12 V	Stop solenoid type	ETR
Starter motor	1.2 kW	Alternator	40 A
Earth isolated	Optional	IP 65 box kit	Optional
SCO 11 double panel	Optional	Current transformers	Optional

## Installation details

Exhaust hose inner diameter	40 mm (1.57 in)	Maximum fuel lift height	0.3 m (0.98 ft)
Sea water hose inner diameter	20 mm (0.79 in)	Maximum raw water lift height	3 m (118.11 in)
Fuel feeding hose inner diameter	8 mm (0.31 in)	Maximum sea water temperature	32 ° (89.6 °F)
Fuel return hose inner diameter	6 mm (0.24 in)	Maximum installation angle***	25 °
Minimum battery capacity	12 V 45 Ah		

## Alternator details

Brand	Meccalte	Cos Phi	1
Model	ES20FS-130	Tropicalized	Yes
Regulator type	ASR	Excitation system	Brush
Number of poles	2	Voltage regulation accuracy**	2,5%
Isolation type*	H	Standards	EN60034-1, IEC 60034-1
IP protection	23	Alternator type	Síncrono

## Standard equipment

4 m electrical wiring extension	SCO 5 control panel
Oil extraction pump	Owner's and alternator manual
Rigid bed	Packaging
Silentblocks	

## Optional accessories

Siphon break kit mandatory if generator is below waterline	Wet Exhaust System
Engine electrical system at 24 V	Water Filters
Service/Cruise Kits: fuel and oil filters, raw water pump, impeller, alternator belt,...	Sea water cock
Dry Exhaust system	Welcome Kit

\* Other protections available

\*\* With load from 0 to 100%, speed variation from -2% up to +5%, power factor 0,8 linear and balanced load.

\*\*\* In all directions

For other requirements please contact the Sales Dept.

# SCO 5 Panel



## General Description

Graphic LCD with light Display, 128 x 64 pixels
3 LED indicators
Marine genset measures (see display information)
Marine genset protections (see alarm management)
Running hour indicator
Type B USB for programming
Programming from the same panel
Universal Interface
Preheating function
D+ preexcitation terminal
CAN bus output with SAEJ1939 protocol
2 multipurpose timers
Dimensions 118x 108 x 43 mm
Weight 246 g

## Alarm Management

Shutdown (SD)
High coolant temperature
Low oil pressure
Overspeed
Overload*
Short circuit*
Overcurrent*
Over/Under voltage
Over/Under frequency
Emergency stop
Warnings (WRN)
Over/Under battery voltage
Maintenance request
Sensor Fails (FLS)

## Operating modes

OFF Mode	AUT Mode (auto start/stop engine)
MAN Mode (manual start/stop engine)	

## Power Supply

Voltage supply 12/24 DC with fuse protection
Consumption 60/35 mA

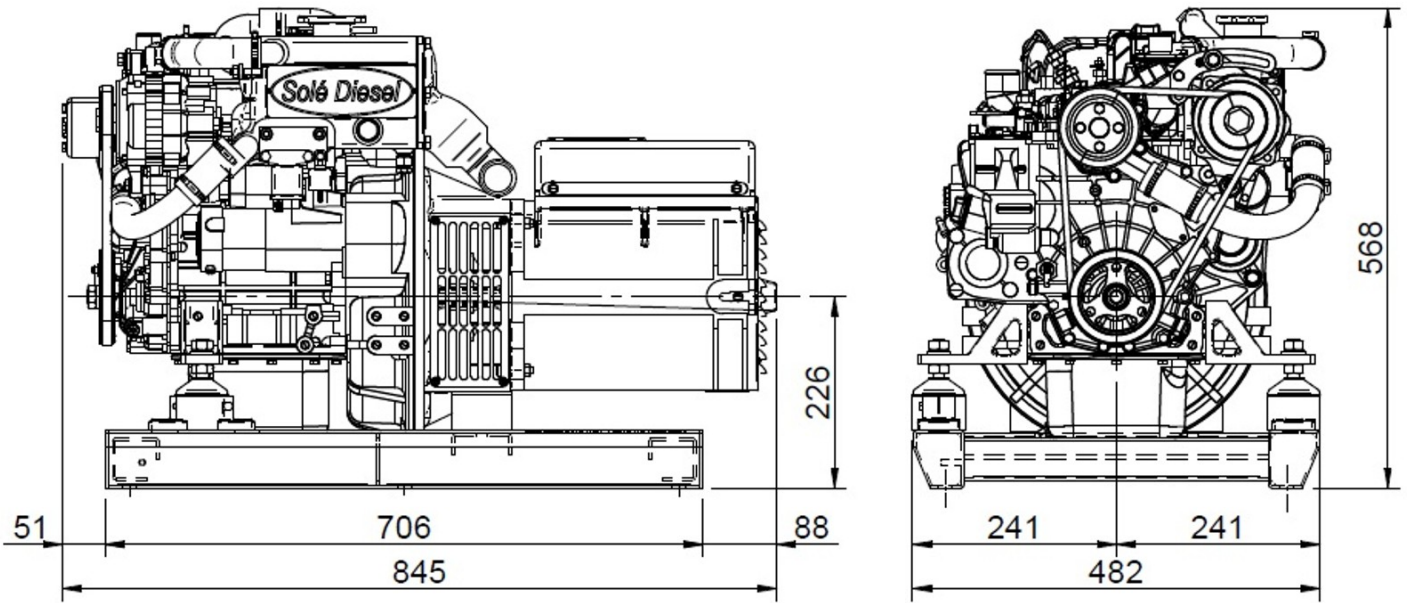
## Operating Conditions

Operating temperature -20+70 °C
Humidity 95 % without condensation
Front Panel Protection IP65
Standard Conformity
EN 61000-6-2, EN 61000-6-4, EN 61010-1
EN 60068-2-6 (2÷25 Hz / ±1,6 mm; 25÷100 Hz / 4.0 g)
EN 60068-2-30:2005 25/55°C, RH 95%, 48hours
EN 60529 (front panel IP65, back side IP20)

## Display Information

Measurement
L1-L3 Voltage (V), Frequency (Hz), Oil Pressure (bar)
Coolant Temperature (°C), Battery voltage (V), RPM
Active Power* (kW), Apparent Power* (kVA), Current* (A), PF*
History log

## Dimensions



Detailed drawings, brochures and manuals are available on the web [soleadvance.com](http://soleadvance.com). All rights reserved.  
Technical specifications, data and presentation are subjected to variations, changes and updates without prior notice.  
Non-contractual information.



Authorized dealer